



# CREW® 66

Project \_\_\_\_\_  
 Item \_\_\_\_\_  
 Quantity \_\_\_\_\_  
 CSI Section 11400  
 Approval \_\_\_\_\_  
 Date \_\_\_\_\_

CREW® 66

## Models

CREW® 66



\*Product image shown with optional Door Accent Panels

## Standard Features

- 19-3/4" (502 mm) clearance
- WISR® Cleaning System
- Double-wall insulated door retains heat, keeping wash water hot & generating less heat in the dish room
- Self-cleaning wash arms
- Fully automatic, including auto-fill
- Incoming water-pressure regulator
- Digital temperature readout
- Adjustable vent cowl collars
- 24V DC control circuit
- Exclusive EnergyGuard™ controls
- Self-draining SS wash pump
- Vent fan control
- Internally-operated drain lever
- PLC controls
- Large front access for ease of maintenance
- Conveyor drive motor comes standard on the output end of machine; must be specified at time of order for input end placement
- Rainbow Rinse™ with arched rinse arm (*patent pending*)
- Stainless steel strainer pans
- Splash shields
- Stainless steel frame and legs
- Exhaust vent fan control
- 18kW wash tank heater
- Front dress panel
- Adjustable bullet feet

## Mandatory Specs

Specify:

- Electric
- Steam

Specify Voltage \_\_\_\_\_

Specify Sanitizing Method:

- High Temperature
- Chemical Sanitizing

Specify Direction of Operation:

- Left to Right
- Right to Left

## Options

- Onboard Booster
  - 40° F (22.2° C) Rise
  - 70° F (38.9° C) Rise
- Single Point Connection with Onboard Booster (*3 phase only*)
- Steam Booster Heater
- 23" (584 mm) Unhooded Side Loader
- 30" (762 mm) Unhooded Side Loader
- Strike Plate Table Limit Switch
- Flanged Feet
- Door Accent Panels (*must be specified at time of order*)
- Prison Package

## Accessories

- 36-Compartment Rack
  - 4-1/8" tall (104 mm)
  - 5 - 5/8" tall (143 mm)
  - 7" tall (178 mm)
- Combination Rack
- Peg Rack
- Sheet Pan Rack
- Drain Quench System
- Scaltrol
- Water Hammer Arrestor

## Specifications

Uses 0.35 gallons of water (1.32 liters) per rack

Cleans 223 racks per hour

18" (457 mm) wash section with a 14" (356 mm) separation between wash and rinse

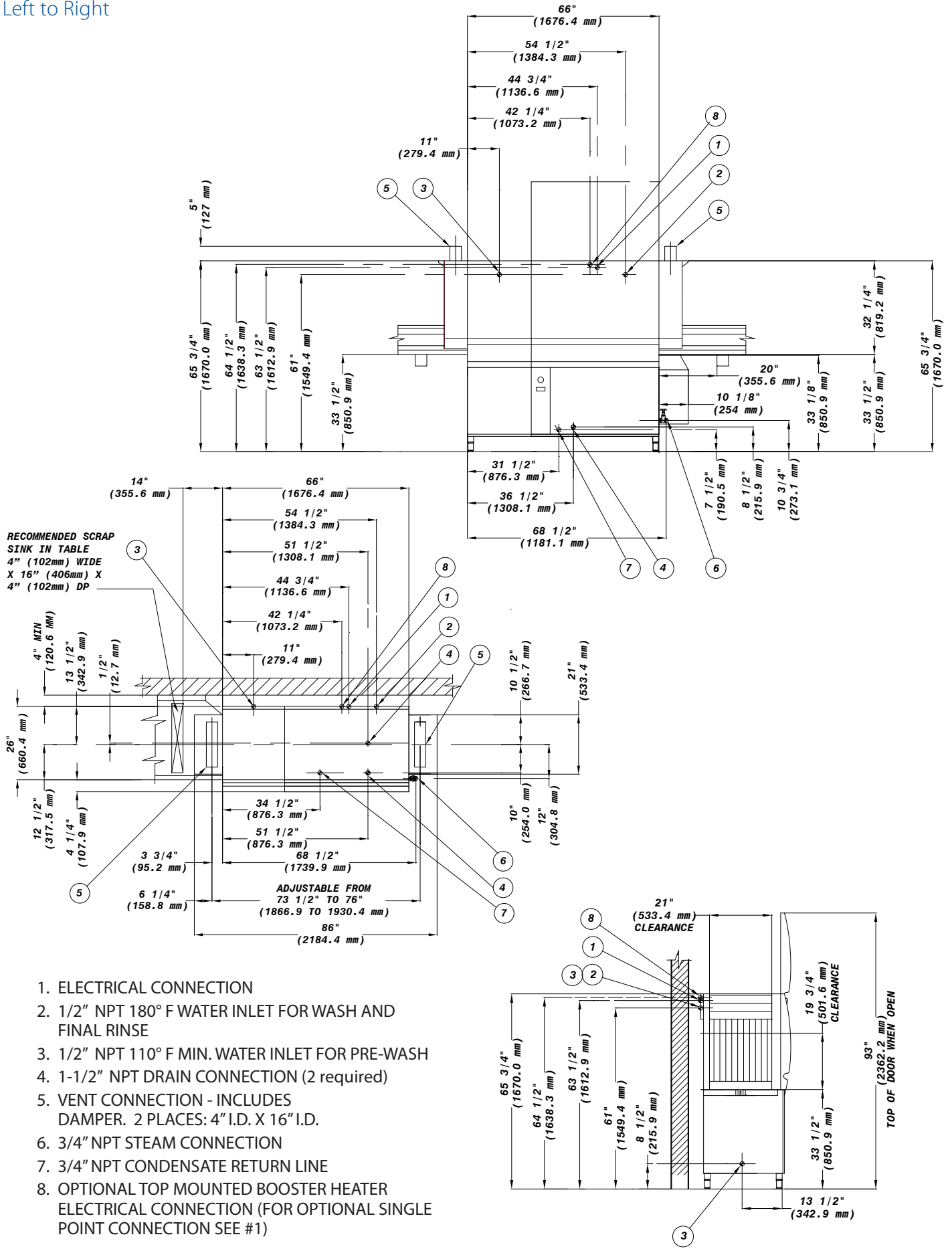
22" (559 mm) pre-wash section has 3 upper and 1 lower pre-wash arms

Stainless steel construction

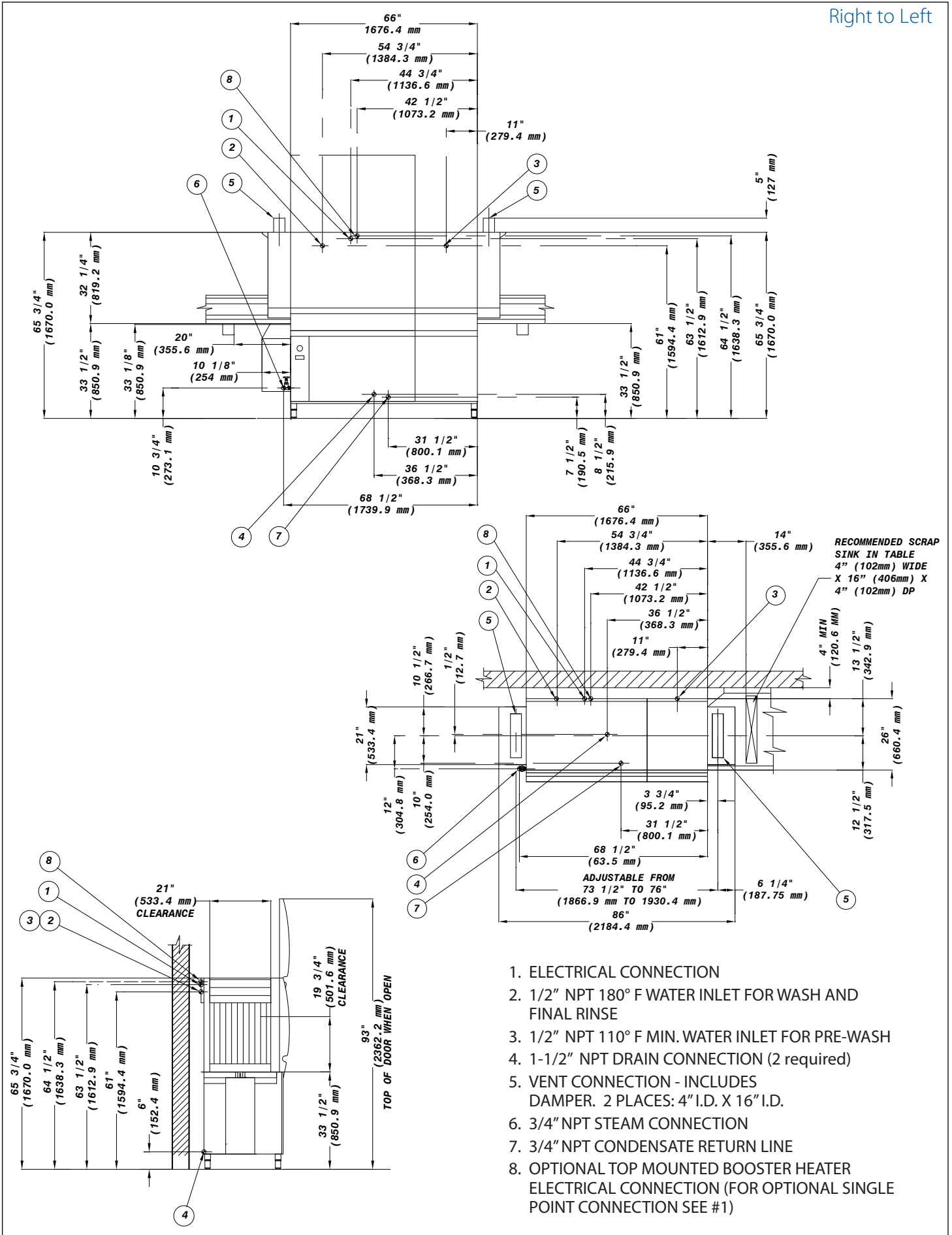


Intertek





1. ELECTRICAL CONNECTION
2. 1/2" NPT 180° F WATER INLET FOR WASH AND FINAL RINSE
3. 1/2" NPT 110° F MIN. WATER INLET FOR PRE-WASH
4. 1-1/2" NPT DRAIN CONNECTION (2 required)
5. VENT CONNECTION - INCLUDES DAMPER. 2 PLACES: 4" I.D. X 16" I.D.
6. 3/4" NPT STEAM CONNECTION
7. 3/4" NPT CONDENSATE RETURN LINE
8. OPTIONAL TOP MOUNTED BOOSTER HEATER ELECTRICAL CONNECTION (FOR OPTIONAL SINGLE POINT CONNECTION SEE #1)

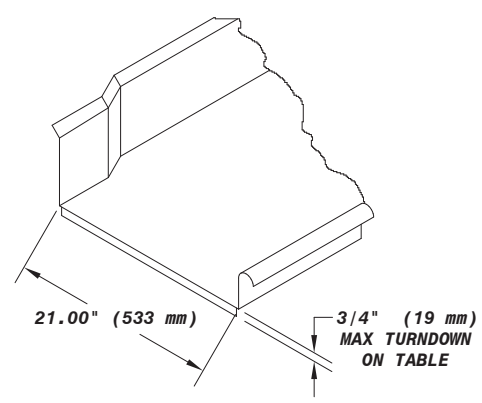


1. ELECTRICAL CONNECTION
2. 1/2" NPT 180° F WATER INLET FOR WASH AND FINAL RINSE
3. 1/2" NPT 110° F MIN. WATER INLET FOR PRE-WASH
4. 1-1/2" NPT DRAIN CONNECTION (2 required)
5. VENT CONNECTION - INCLUDES DAMPER. 2 PLACES: 4" I.D. X 16" I.D.
6. 3/4" NPT STEAM CONNECTION
7. 3/4" NPT CONDENSATE RETURN LINE
8. OPTIONAL TOP MOUNTED BOOSTER HEATER ELECTRICAL CONNECTION (FOR OPTIONAL SINGLE POINT CONNECTION SEE #1)

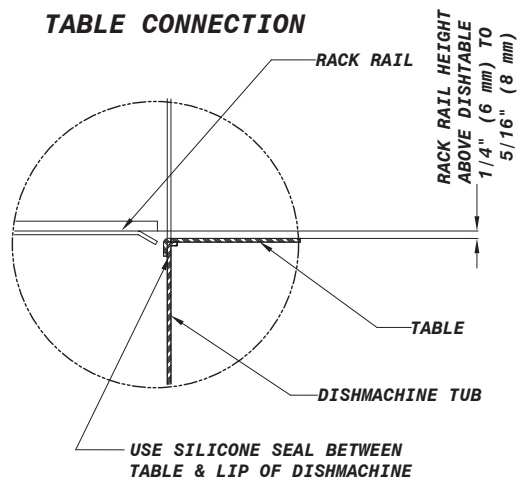


CREW® 66

**RECOMMENDED TABLE FABRICATION**



**TABLE CONNECTION**



MODEL NO.	MACHINE DIMENSIONS					DRAIN HEIGHT	SHIPPING INFORMATION					
	HEIGHT	HEIGHT WITH DOOR OPEN	LENGTH BETWEEN DISHTABLES	DEPTH	DEPTH		WEIGHT	CLASS	CUBE	HEIGHT	WIDTH	DEPTH
CREW® 66	65-3/4" (1670 mm)	93" (2362 mm)	66" (1676 mm)	30" (762 mm)	30" (762 mm)	6-1/2" (165 mm)	1220 lbs (553 kg)	92.5	204.83 cu. ft.	89" (2261 mm)	97" (2464 mm)	41" (1041 mm)

**OPERATING CAPACITY**

	High-Temperature	Chemical Sanitizing
Racks per Hour	223	223
Dishes per Hour	5,575	5,575
Glasses per Hour	8,028	8,028

**WATER REQUIREMENTS**

Inlet Temperature (minimum)	
With 40° F (22.2° C) Rise Booster Heater	140° F (60° C)
With 70° F (38.9° C) Rise Booster Heater	110° F (43° C)
Gallons per Hour	78 gal (295 L)
Gallons per Rack	0.35 gal (1.3 L)
Waterline Size IPS (minimum)	1/2"
Drainline Size IPS (minimum)	1-1/2"
Flow Pressure (PSI)	15
Flow Rate GPM (minimum)	1.30 (4.9 LPM)
Wash Tank Capacity	35.60 gal (135 L)

**OPERATING TEMPERATURES**

	High-Temperature	Chemical Sanitizing
Pre-Wash	110 - 140° F (43 - 60° C)	110 - 120° F (43 - 49° C)
Wash (minimum)	160° F (71° C)	120° F (49° C)
Rinse (minimum)	180° F (82° C)	120° F (49° C)

**WASH PUMPS**

Pre-Wash Pump Motor	2 hp
Wash Pump Motor	3 hp
Pre-Wash Pump Capacity	220 GPM (833 LPM)
Wash Pump Capacity	270 GPM (1022 LPM)

**ELECTRICAL REQUIREMENTS\***

	Approximate Total Load AMPS			
	Electric Tank Heat		Steam	
208V/60HZ/3PH	66.5	16.5		
208V/60HZ/1PH	108.5	22.0		
230V/60HZ/3PH	61.1	15.9		
230V/60HZ/1PH	102.1	21.2		
460V/60HZ/3PH	28.4	8.0		

**CONVEYOR**

Conveyor Motor	1/4 hp
Conveyor Speed (feet per minute)	6.07 FPM (1.85 MPM)

**BOOSTER HEATER ELECTRICAL REQUIREMENTS\***

	40° F (22.2° C) Minimum Rise		70° F (38.9° C) Minimum Rise	
	kW	AMPS	kW	AMPS
208V/60HZ/3PH	12	33.3	17.2	47.7
208V/60HZ/1PH	12	57.7	17.2	82.7
230V/60HZ/3PH	12	27.7	18	41.5
230V/60HZ/1PH	12	47.9	18	71.9
460V/60HZ/3PH	12	13.8	18	20.7

**VENTING REQUIREMENTS**

Input End	200 CFM
Output End	200 CFM
Total CFM	400 CFM

**STEAM COIL TANK HEAT (STEAM MODELS ONLY)**

Steam Connection IPS	3/4"
Steam Flow Pressure (PSIG)	10-20
Consumption @ 15 PSIG (lbs/hr)	60

\*Total amp draw for a single point connection with onboard booster heater (3 phase only) is calculated by adding the amp load for the booster heater to the amp load for the machine.  
**HOW TO SPECIFY: CREW® 66**

**Jackson WWS, Inc.**  
 Shipping Address: 6209 North U.S. Highway 25E, Gray, KY 40734  
 Mailing Address: P.O. Box 1060, Barbourville, KY 40906  
 Telephone: 888-800-5672 • Fax: 606-523-1799  
 Email: info@jacksonwws.com  
 07610-003-82-61 [04/26/13]

[www.jacksonwws.com](http://www.jacksonwws.com)